

| | | | | |
|---------------------------|--------|----------|------|------------|
| SIRUBA GAGE PARTS LIST | Series | Remark | Page | Date |
| | DL918 | M1/H1/L1 | 1/1 | 2012/11/01 |

DL918-M1/H1/L1規格件表 CONVERSION CHART

| MODEL | SUB-CLASS | OPERATING PANEL | NEEDLE PLATE | FEED DOG | PRESSER FOOT | HOOK ASM | BOBBIN CASE ASM | BOBBIN | NEEDLE | HAND WHEEL | MOTOR |
|-----------------------------|-----------------|-----------------|--------------|------------|--------------|------------|-----------------|------------|--------------|------------|----------|
| DL918-L1-10 ~ DL918-L1-13 | 規格 薄布料 | 操作盒 | 針板 E701 | 送具 D701 | 押具 P721 | 梭頭 G121 | 梭殼 G202 | 梭子 G303 | 針號 DAX1#9 | 手輪 | 馬達 |
| DL918-M1-10 ~ DL918-M1-13 | 薄中布 至 厚布料 | LU277-A | E704 | D701 | P701 | G121 | G202 | G303 | DBX1#14 | LH500-E | TS0D8S11 |
| DL918-M1A-10 ~ DL918-M1A-13 | | | E704D | D702 | P701 | G121 | G202 | G303 | DBX1#14 | | |
| DL918-H1-10 ~ DL918-H1-13 | | | E711 | D711 | P711 | G122J | G202 | G303 | DBX1#21 | | |
| DL918-H1A-10 ~ DL918-H1A-13 | 厚布料 | | E711D | D711D | P711D | G122J | G202 | G303 | DBX1#21 | | |

SIRUBA
MODEL COMPARE LIST

Series

L918U/DL918/DL7000

Remark

-L1/M1/H1/HM1

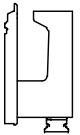




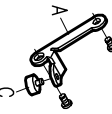
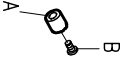

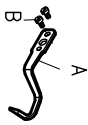
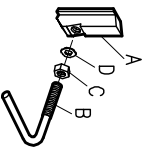


Page

1 / 4

Date

2013/01/01

L918U/DL918/DL7000 型別件表

| | | | | | | | | | | | |
|--|--|--|--|--|--|--|--|--|--|--|--|
|  |  |  |  |  |  |  |  |  |  |  |  |
| MODEL | SUB-CLASS | SPRING | SPRING | SPRING | THREAD GUIDE | THREAD GUIDE | SPRING | THREAD GUIDE | THREAD GUIDE BAR | EJECTOR PIN | ADJUSTING KNOB |
| 機 型 | 規 格 | 控線彈簧 | 控線彈簧 | 挑線彈簧 | 固定片 | 擋環片 | 壓簧 | 導線片 | 導線桿 | 頂出銷 | 調整旋鈕 |
| L1 | 薄布料 | LA231 | LA22 | LA227 | — | — | LB204 | — | — | LB212 | LC23G |
| M1 | 薄布料 ~ 中厚料 | LA31D | LA22 | LA227 | A | LA617 | LB04 | A | LB06 | LB12 | LC623G |
| | | | | | B | SK690 | | B | SK241 | | |
| | | | | | C | LU38 | | B | SK241 | | |
| H1 | 中厚料 ~ 厚布料 | LA131 | LA122 | LA27 | A | LA600 | LB04 | A | LB100 | LB12 | LC600G |
| | | | | | B | SK690 | | B | LB106 | | |
| | | | | | C | LU38 | | C | NK23 | | |
| | | | | | C | LU38 | | | D | WK09 | |

SIRUBA

MODEL COMPARE LIST

Series

L918U/DL918/DL7000

Remark

-L1/M1/H1/HM1

Page

2 / 4

Date

2013/08/10

L918U/DL918/DL7000 型別件表

| MODEL | SUB-CLASS | NEEDLE BAR | FIXED PIN | HOOK FIXER | COVER | THRAD TAKE UP LEVER | CRANK SHAFT | BUSING | THREAD GUIDE |
|-------|-----------------|------------|-----------|------------|---------|---------------------|-------------|--------|--------------|
| 機 型 | 規 格 | 針 棒 | 固 定 銷 | 旋 梭 定 位 板 | 護 蓋 | 天 秤 | 曲 軸 | 襯 套 | 導 線 環 片 |
| | | | | | | | | | |
| L1 | 薄布料 | LG04 | LG13 | LE14D | A LG01 | LG13 | LG215 | LG07 | LG09 |
| HM1 | 薄布料 ~ 中厚料 | | LG613 | | A LG101 | LG113 | LG615 | LG107 | LG109 |
| | | | LG13 | | B SK501 | LG13 | LG15 | — | — |
| | | | | | A LG01 | B SK219 | — | — | |
| M1 | 中厚料 ~ 厚布料 | LG104 | LG613 | LE614D | A LG101 | LG113 | LG615 | LG107 | LG109 |
| H1 | | | | | B SK501 | | | | |

L918U/DL918/DL7000 型別件表

| MODEL | SUB-CLASS | TRIMMER SOLENOID | MOVABLE KINFE | SOLENOID BRACKET | PRESSER PLATE | FIXED PLATE | FIXED PLATE | CONNECTING ROD | CONNECTING ROD |
|-------|-----------------|------------------|---------------|------------------|---------------|-------------|-------------|---|---|
| 機 型 | 規 格 | 切線電磁閥 | 轉子連桿 | 電磁閥座 | 押板 | 固定刀 | 固定片 | 連桿 | 連桿 |
| L1 | 薄布料 | | | | | | | A LU15 B SK662 C EM050 D SK664 | — |
| HM1 | 薄布料 ~ 中厚料 | LU25 | LU18 | LU26 | LU04 | LU05 | LU28 | A LU15 B SK662 C EM050 D SK664 | — |
| M1 | 中厚料 ~ 厚布料 | | | | | | | A LU15 B SK662 C EM050 D SK664 | — |
| H1 | 中厚料 ~ 厚布料 | LU625 | LU618 | LU626 | LU604 | LU605 | LU628 | — | A LU615 B SK677 C NK26/MM402 D SK682 |

SIRUBA
MODEL COMPARE LIST

Series

L918U/DL918/DL7000

Remark

-L1/M1/H1/HM1

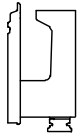

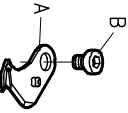
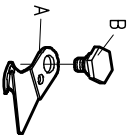



Page

4 / 4

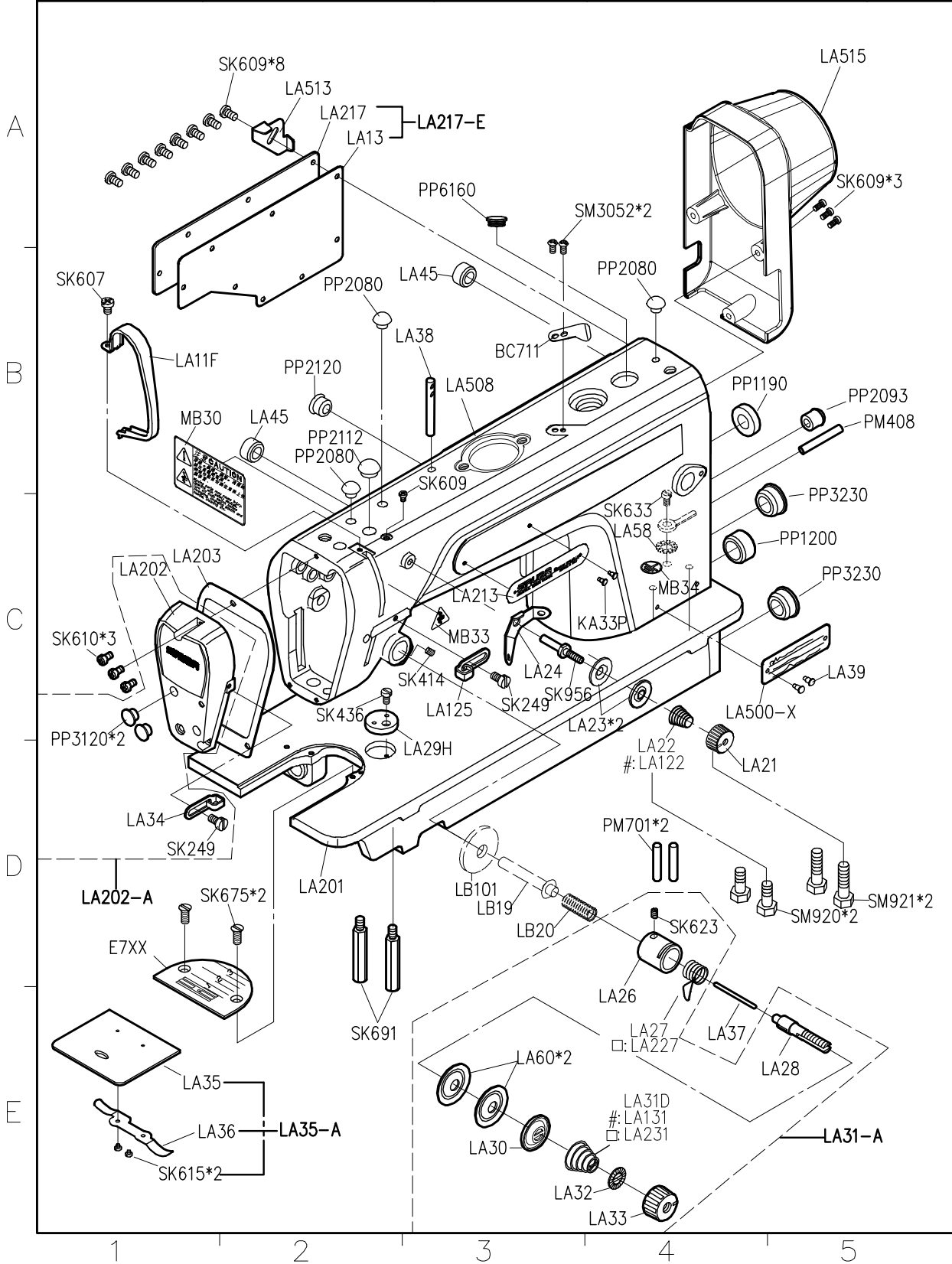
Date

2013/01/01

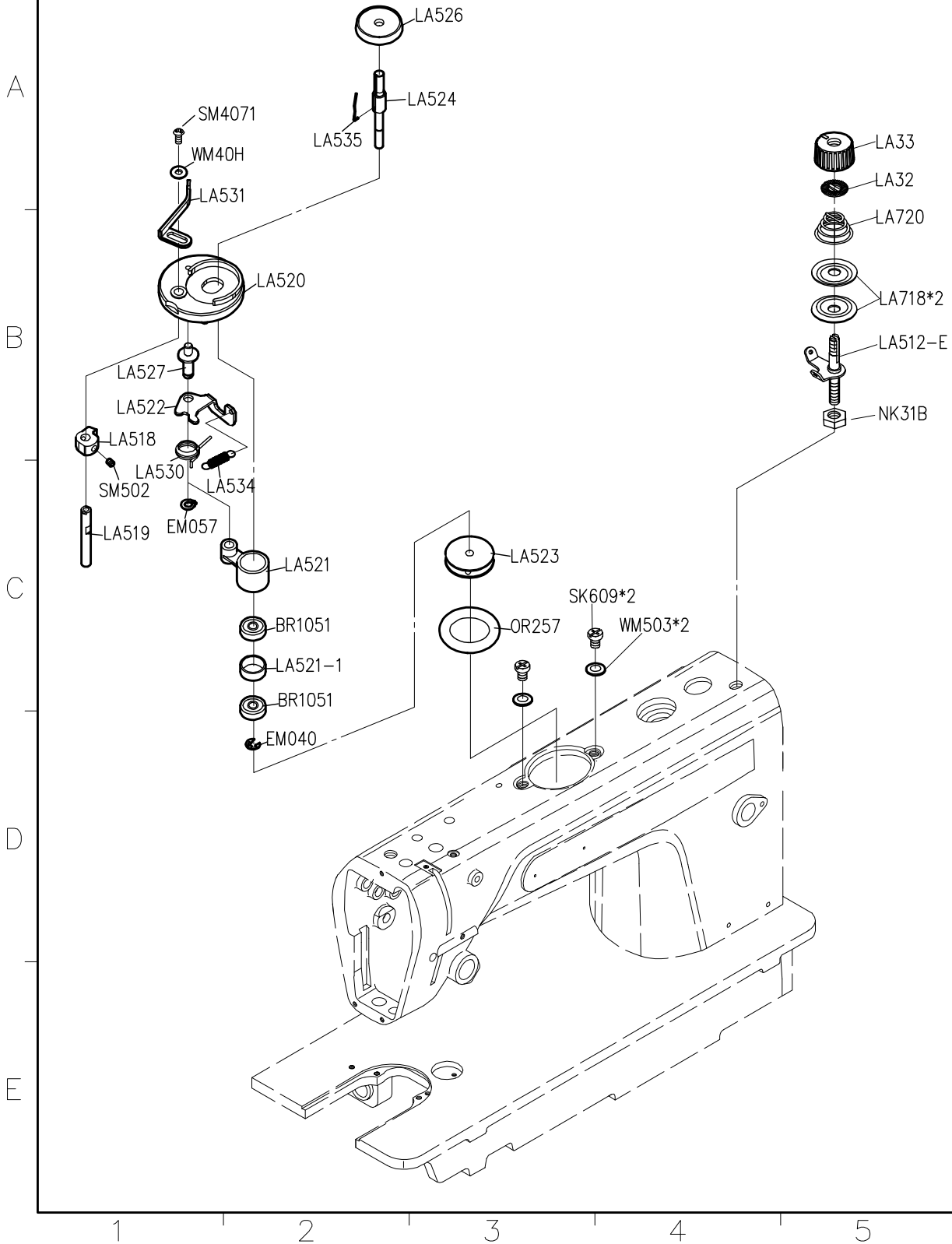
L918U/DL918/DL7000 型別件表

| | | | | | | | | |
|---|---|--|--|--|---|---|--|--|
|  |  |  |  |  |  |  | | |
| MODEL | SUB-CLASS | MOVABLE KNIFE | MOVABLE KNIFE | MOVABLE KNIFE CONNECTING ROD | MOVABLE KNIFE CONNECTING ROD | PRESSER PLATE | | |
| 機 型 | 規 格 | 活動刀 | 活動刀 | 活動刀連桿 | 活動刀連桿 | 刀座 | | |
| | | | | | | | | |
| L1 | 薄布料 | A | LU02 | — | — | | | |
| | | B | SK660 | | | | | |
| HM1 | 薄布料 ~ 中厚料 | A | LU02 | LU01 | — | LU03 | | |
| | | B | SK660 | | | | | |
| | | A | LU02 | | | | | |
| M1 | 中厚料 ~ 厚布料 | B | SK660 | | | | | |
| | | A | LU02 | | | | | |
| H1 | 中厚料 ~ 厚布料 | | | | A | LU602 | | |
| | | | | | B | SK683 | | |

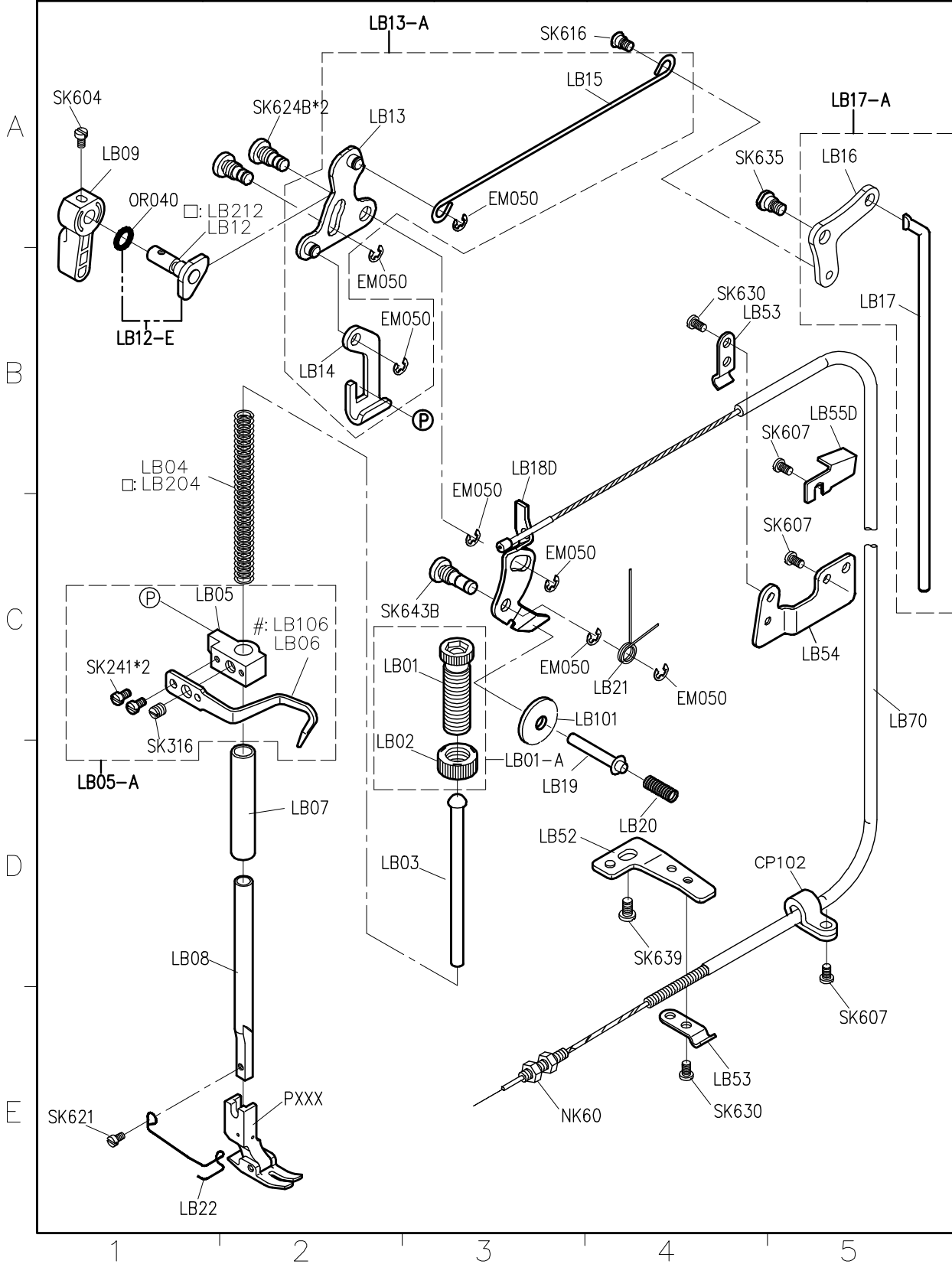
| SIRUBA PARTS LIST | Series | Parts Group | Subclass / Remark | Page |
|----------------------|-------------|-------------|------------------------------|------------|
| | DL918-M1/H1 | LA | #:Use for H1 □:Use for L1 | 1/2 |
| | | | | Date |
| | | | | 2012/09/12 |



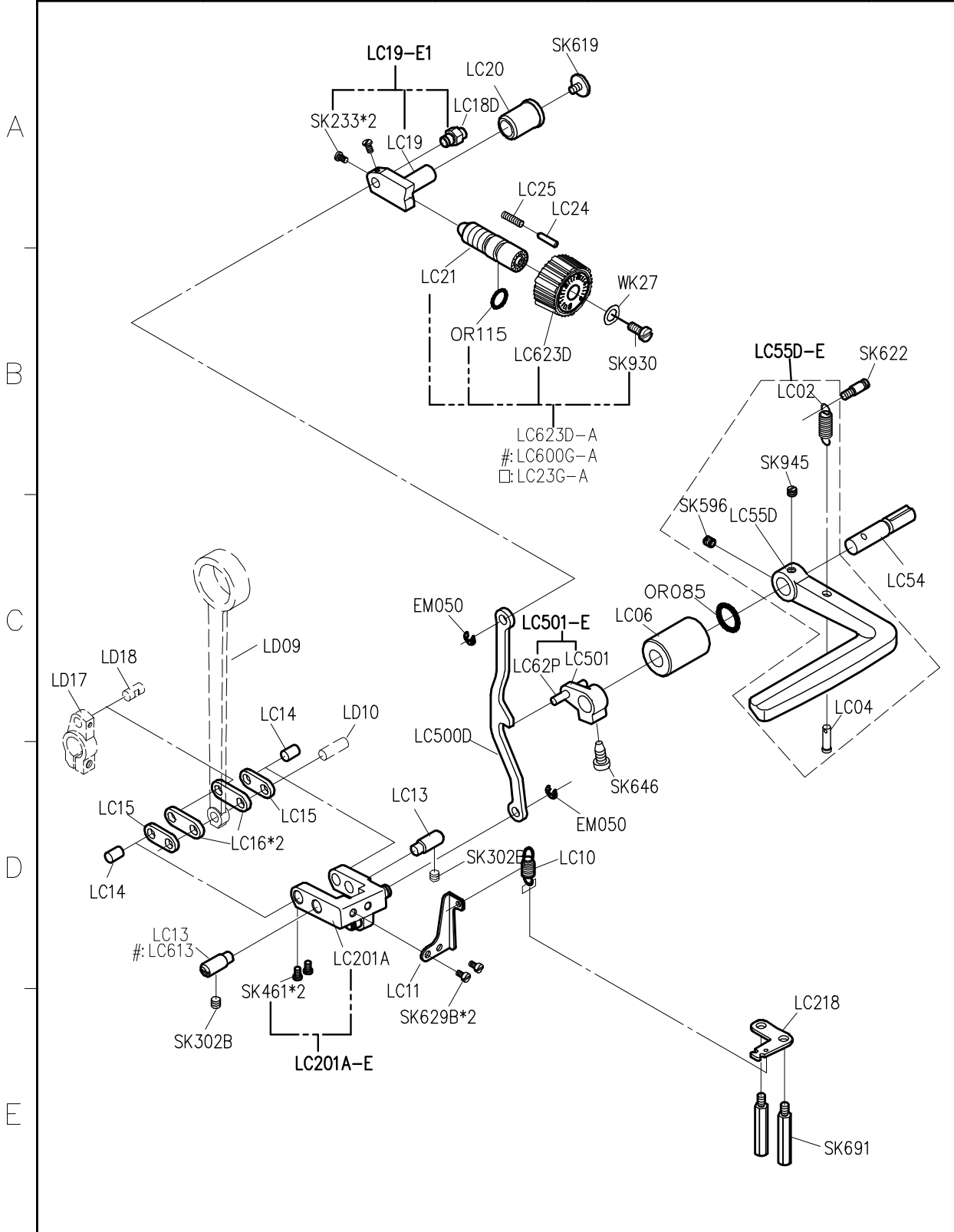
| | | | | |
|------------------------------------|---------------|--------------------|--------------------------|-------------|
| SIRUBA PARTS LIST | Series | Parts Group | Subclass / Remark | Page |
| | DL918-M1/H1 | LA | | 1/2 |
| | | | | Date |
| | | | | 2012/09/12 |



| | | | | |
|------------------------------------|---------------|--------------------|------------------------------|-------------|
| SIRUBA PARTS LIST | Series | Parts Group | Subclass / Remark | Page |
| | DL918-M1/H1 | LB | #:Use for H1 □:Use for L1 | 1/1 |
| | | | | Date |
| | | | | 2012/09/12 |

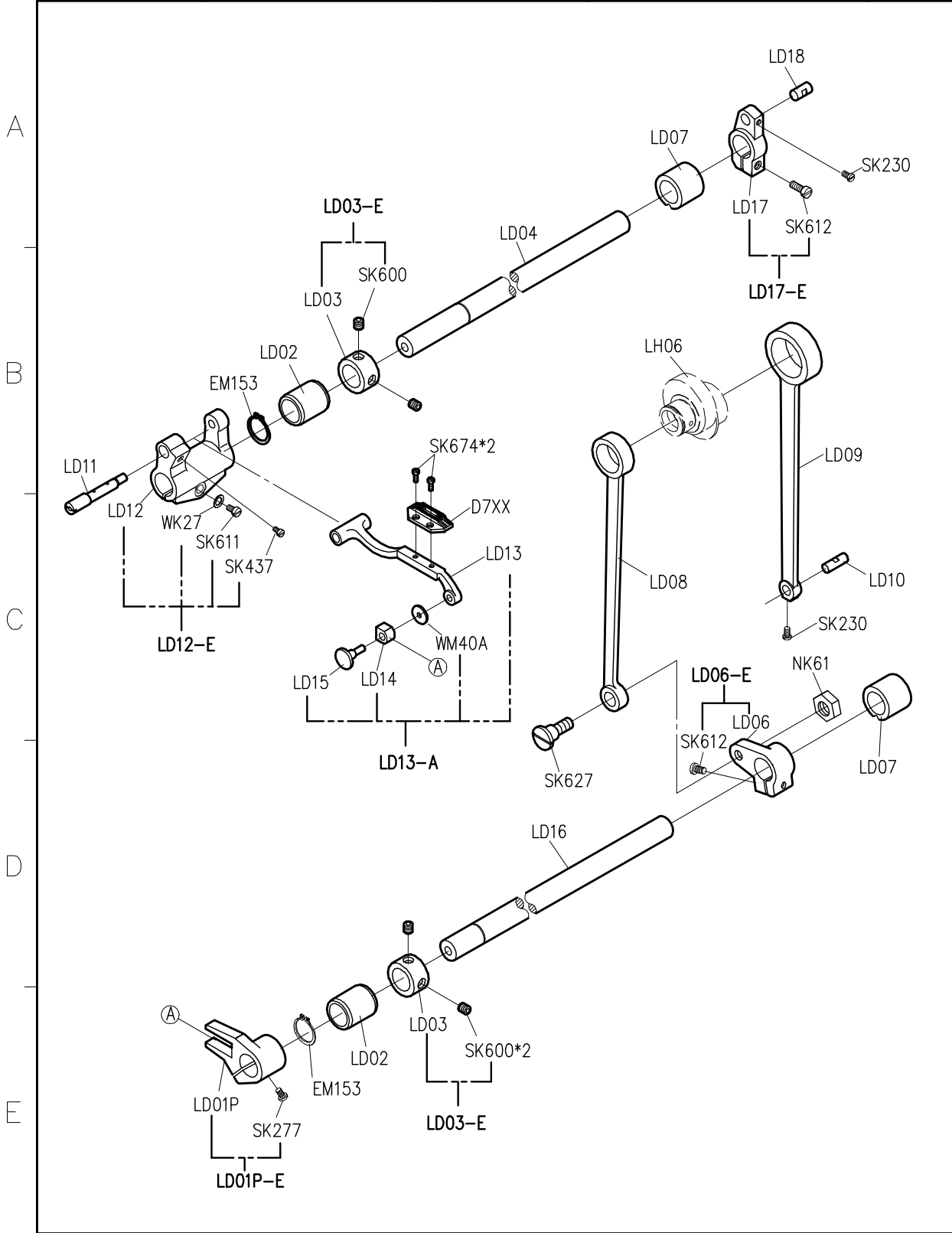


| SIRUBA PARTS LIST | Series | Parts Group | Subclass / Remark | Page |
|----------------------|-------------|-------------|------------------------------|------------|
| | DL918-M1/H1 | LC | #:Use for H1 □:Use for L1 | 1/1 |
| | | | | Date |
| | | | | 2012/09/12 |

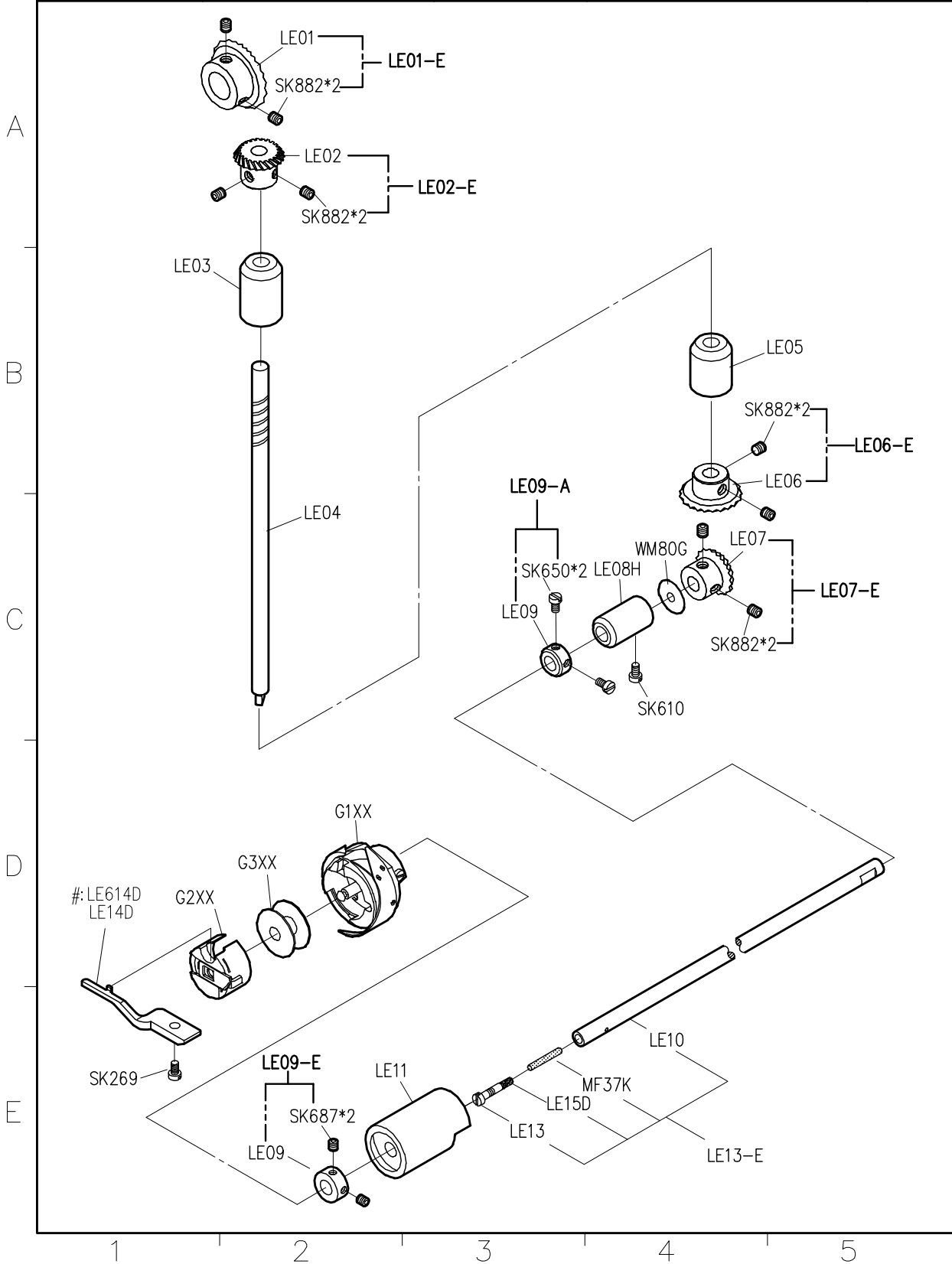


1 2 3 4 5

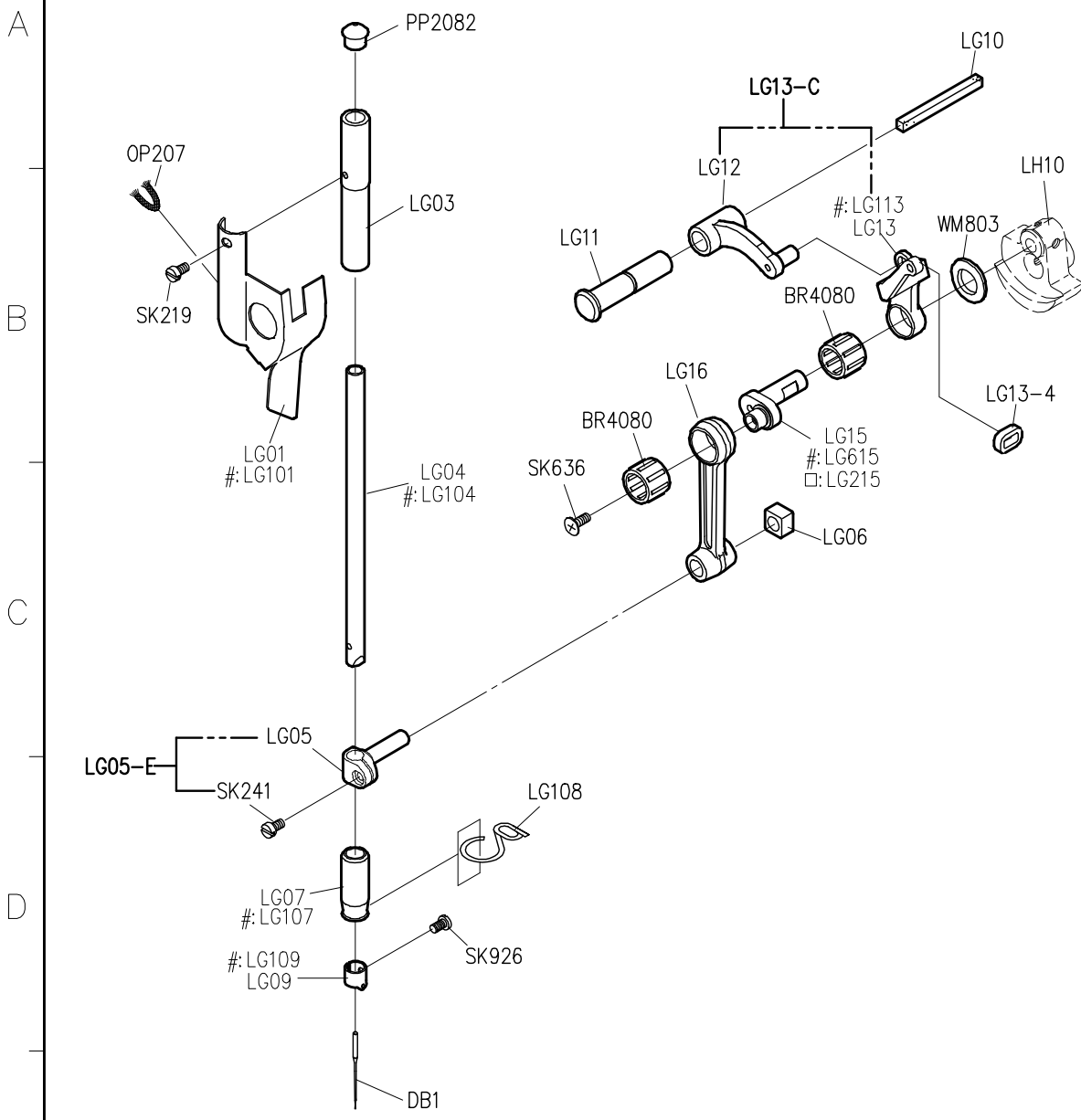
| | | | | |
|------------------------------------|--------------------|--------------------|--------------------------|-------------------|
| SIRUBA PARTS LIST | Series | Parts Group | Subclass / Remark | Page |
| | DL918-M1/H1 | LD | | 1/1 |
| | | | | Date |
| | | | | 2012/09/12 |



| SIRUBA PARTS LIST | Series | Parts Group | Subclass / Remark | Page |
|----------------------|-------------|-------------|------------------------------|------------|
| | DL918-M1/H1 | LE | #:Use for H1 □:Use for L1 | 1/1 |
| | | | | Date |
| | | | | 2013/01/10 |

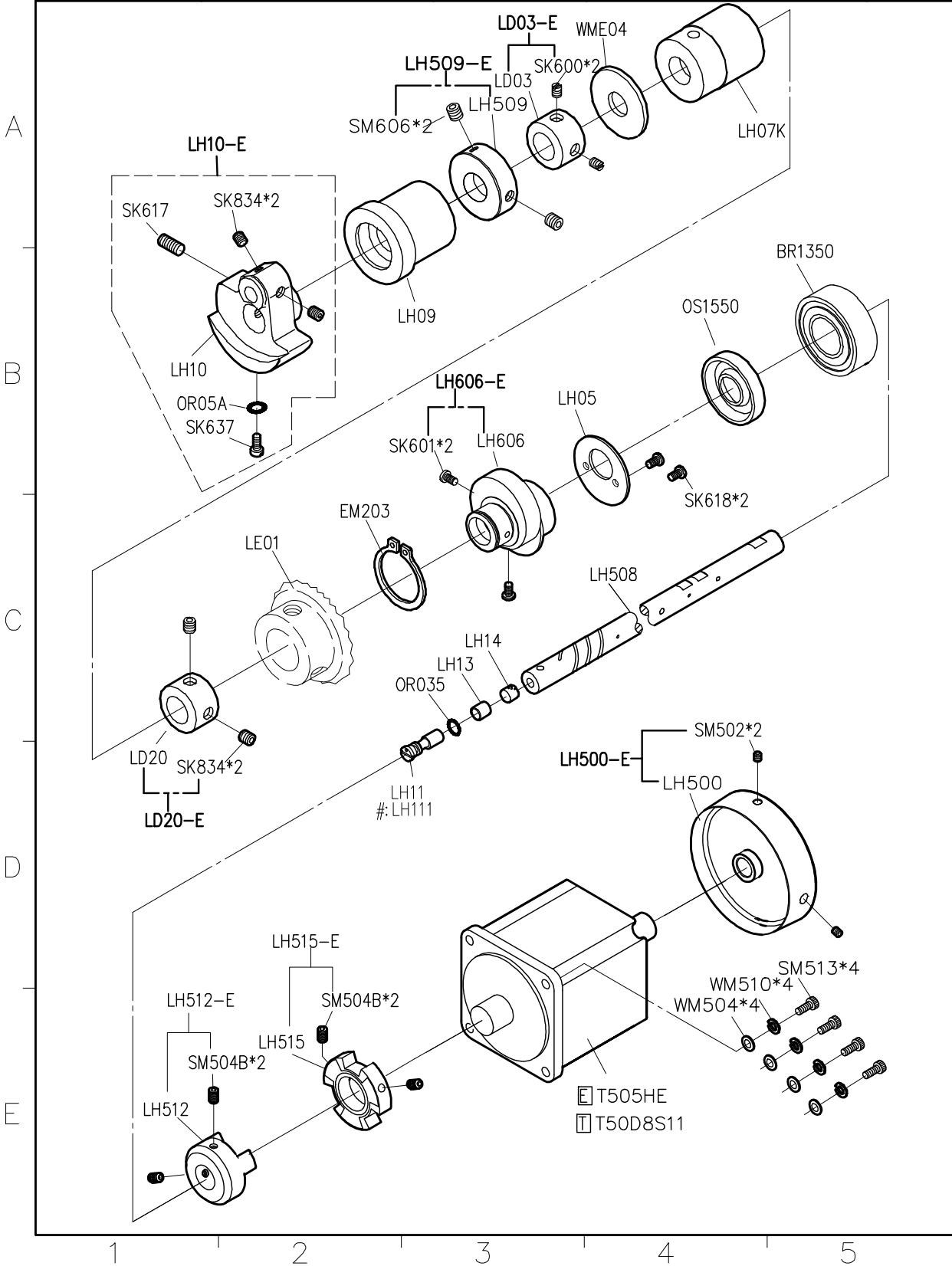


| SIRUBA PARTS LIST | Series | Parts Group | Subclass / Remark | Page |
|----------------------|-------------|-------------|------------------------------|------------|
| | DL918-M1/H1 | LG | #:Use for H1 □:Use for L1 | 1/1 |
| | | | | Date |
| | | | | 2012/09/12 |

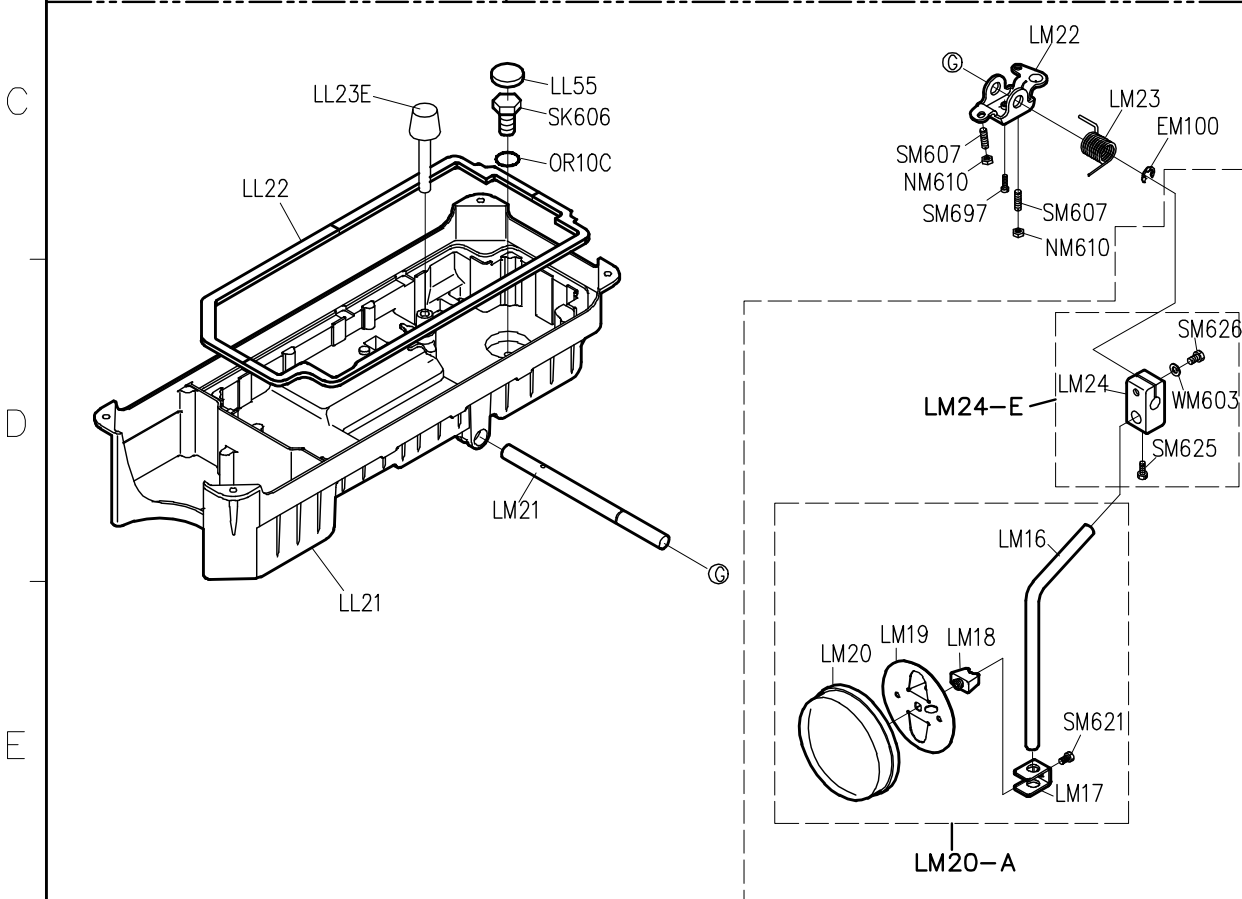
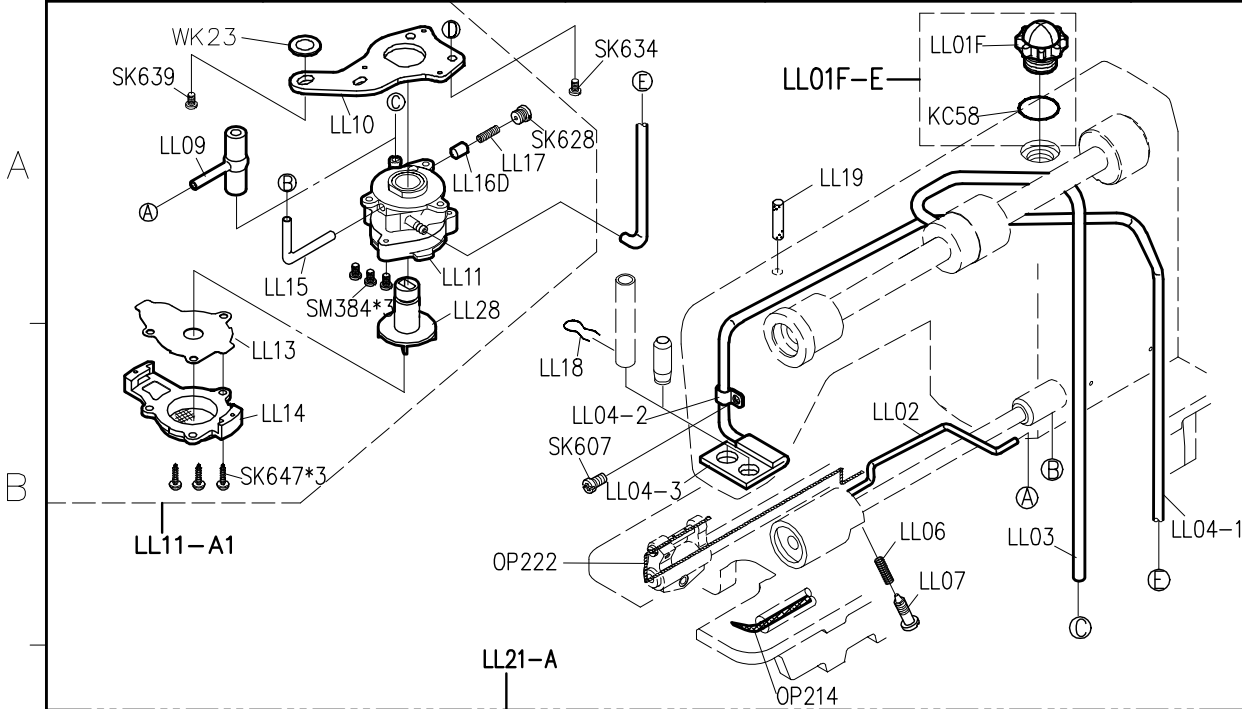


1 2 3 4 5

| | | | | |
|------------------------------------|---------------|--------------------|------------------------------|-------------|
| SIRUBA PARTS LIST | Series | Parts Group | Subclass / Remark | Page |
| | DL918-M1/H1 | LH | #:Use for H1 □:Use for L1 | 1/1 |
| | | | | Date |
| | | | | 2012/09/12 |



| | | | | |
|------------------------------------|--------------------|--------------------|--------------------------|-------------------|
| SIRUBA PARTS LIST | Series | Parts Group | Subclass / Remark | Page |
| | DL918-M1/H1 | LL | | 1/1 |
| | | | | Date |
| | | | | 2012/12/27 |



1 2 3 4 5

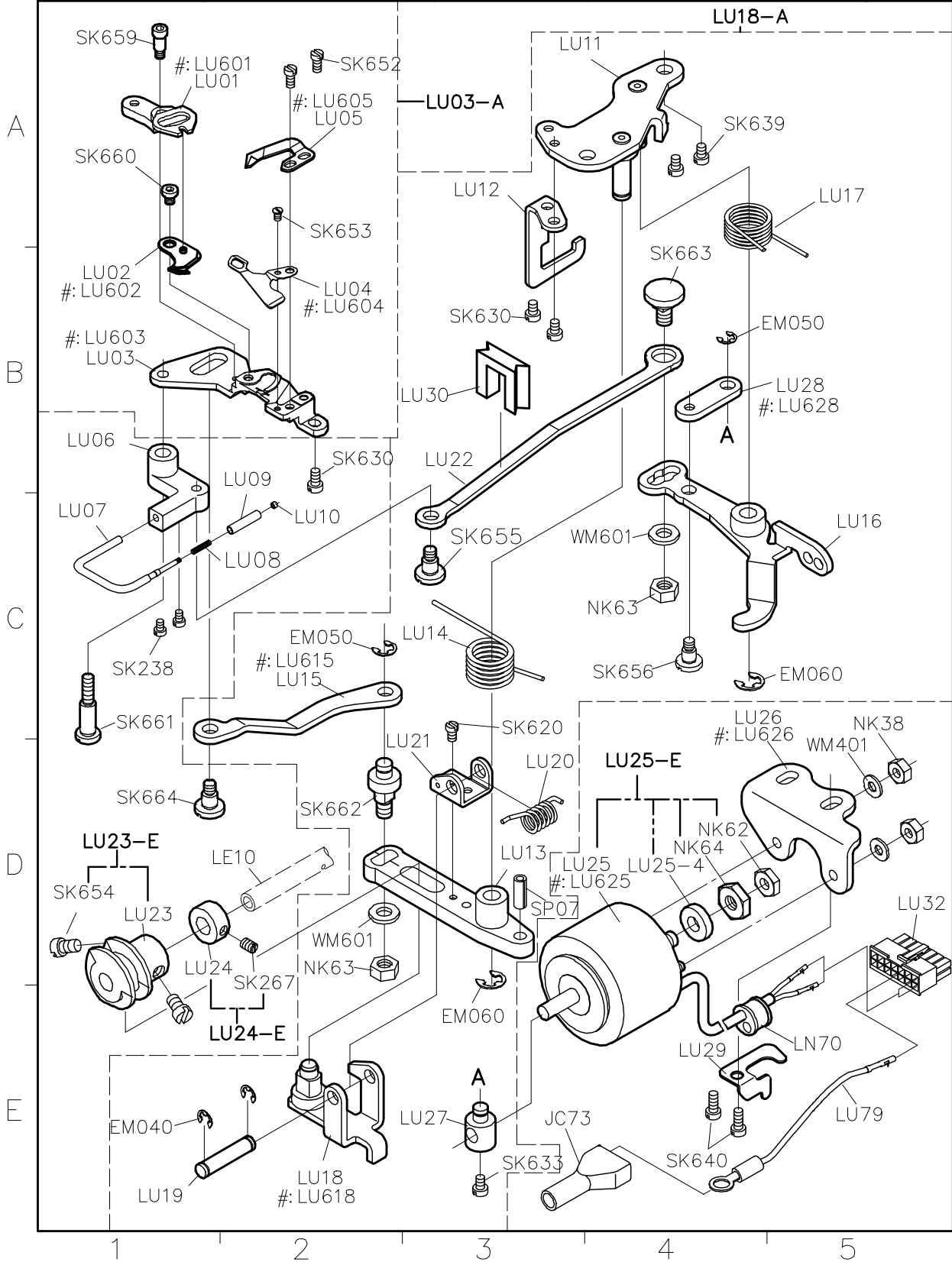
SIRUBA
PARTS LIST

Series
DL918-M1/H1

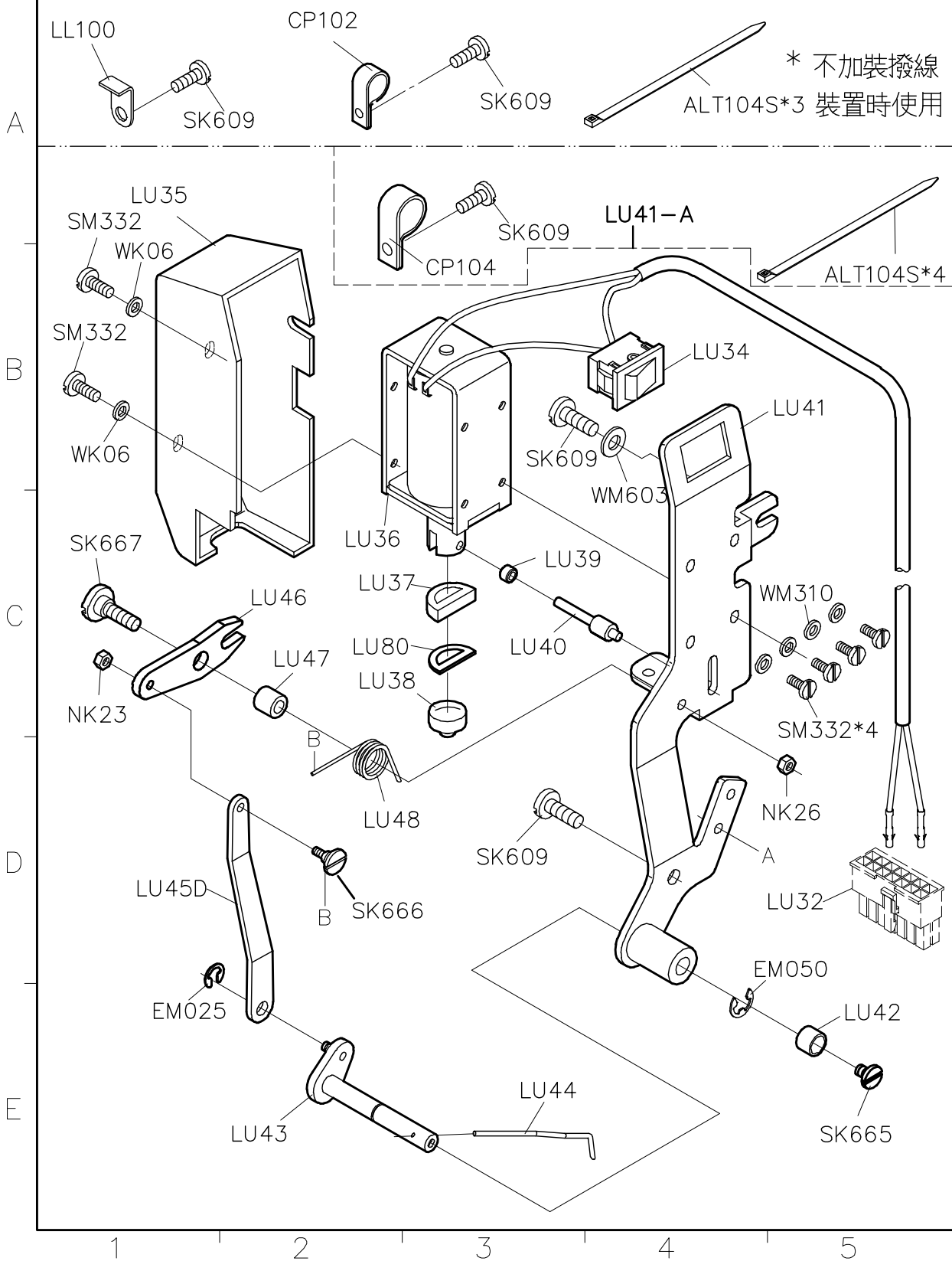
Parts Group
LU

Subclass / Remark
#:Use for H1
□:Use for L1

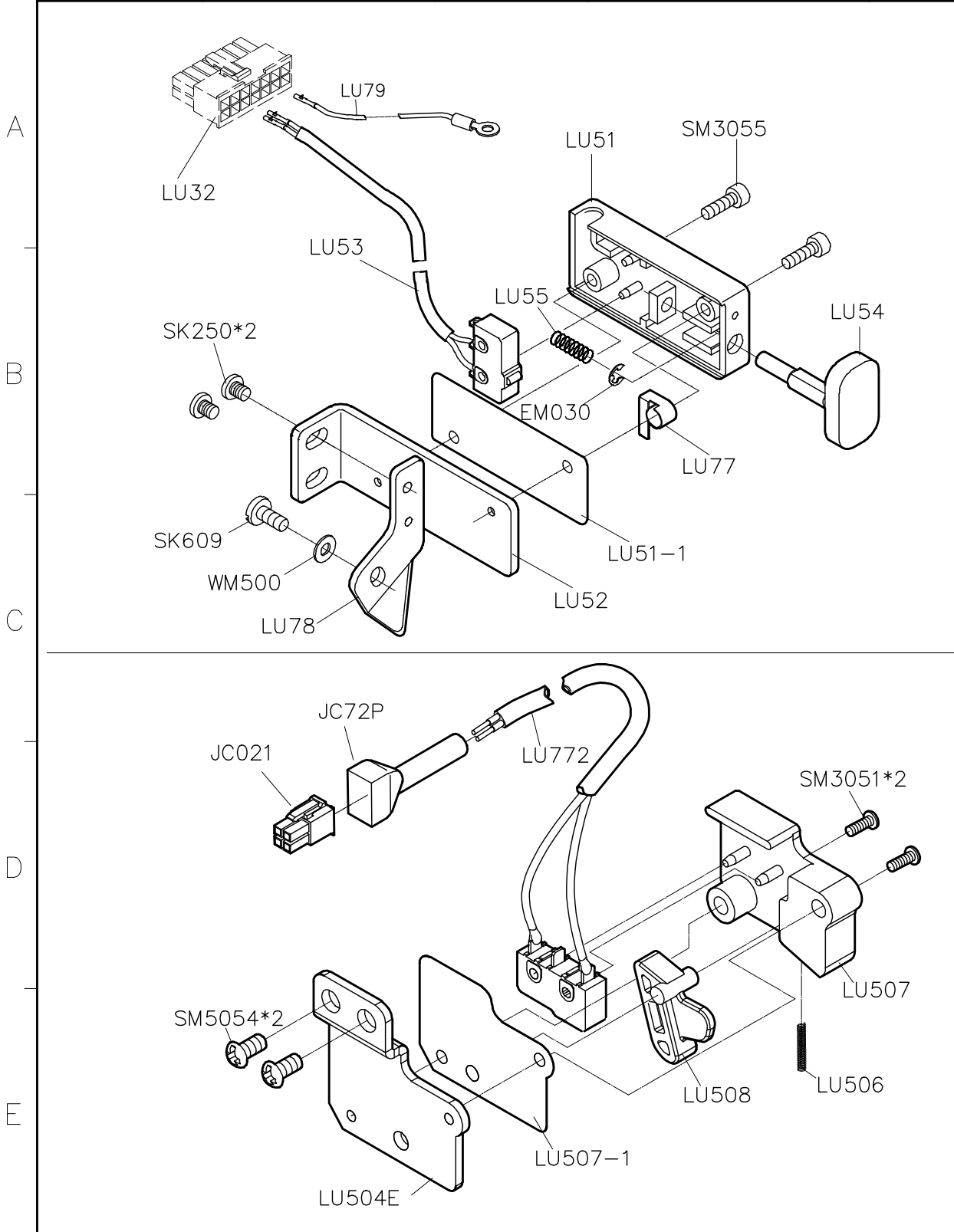
Page
1/7
Date
2012/11/01



| | | | | |
|------------------------------------|--------------------|--------------------|--------------------------|-------------------|
| SIRUBA PARTS LIST | Series | Parts Group | Subclass / Remark | Page |
| | DL918-M1/H1 | LU | | 2/7 |
| | | | | Date |
| | | | | 2012/11/01 |

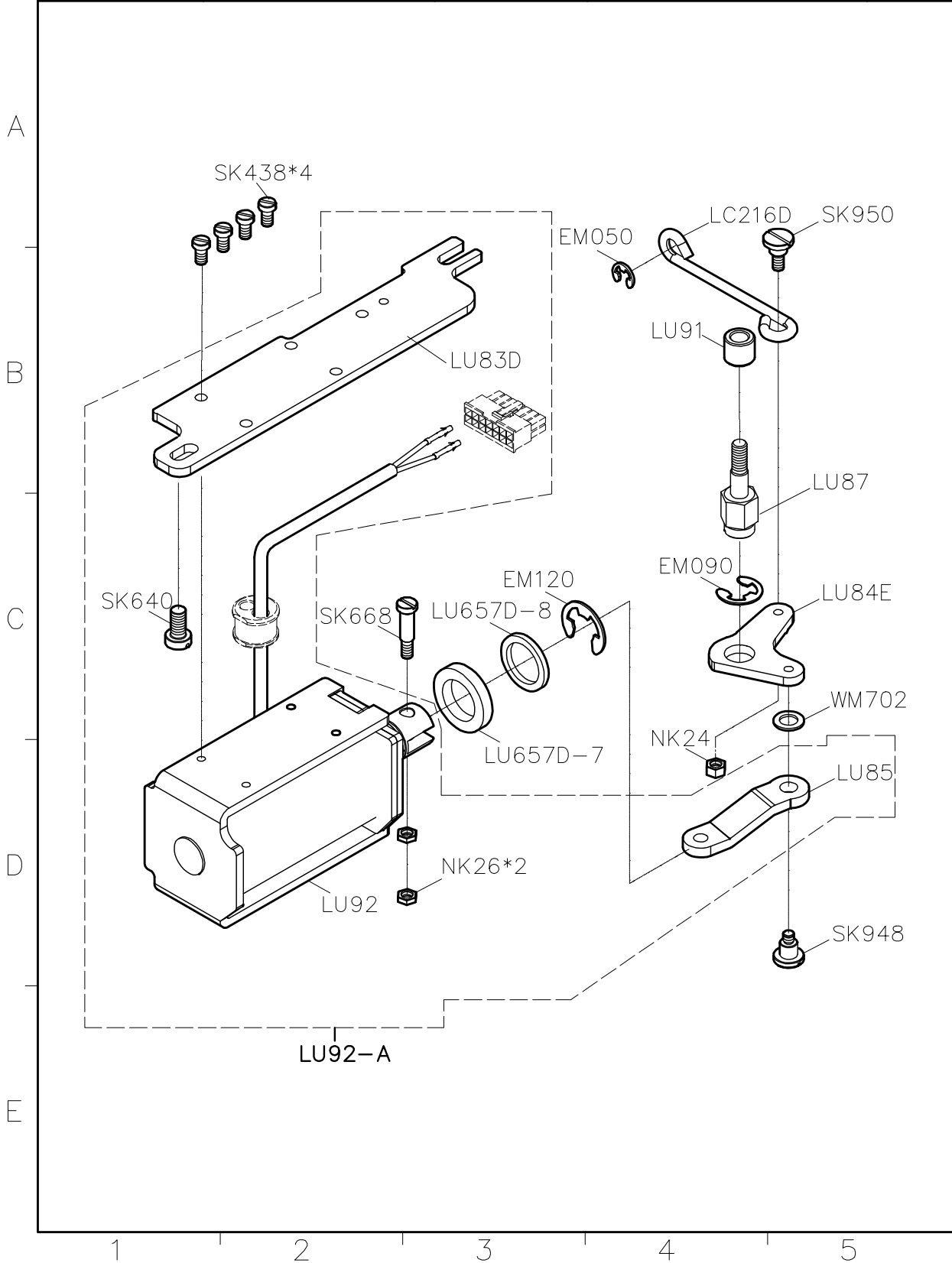


| SIRUBA PARTS LIST | Series | Parts Group | Subclass / Remark | Page |
|----------------------|-------------|-------------|-------------------|------------|
| | DL918-M1/H1 | LU | | 3/7 |
| | | | | Date |
| | | | | 2012/11/01 |



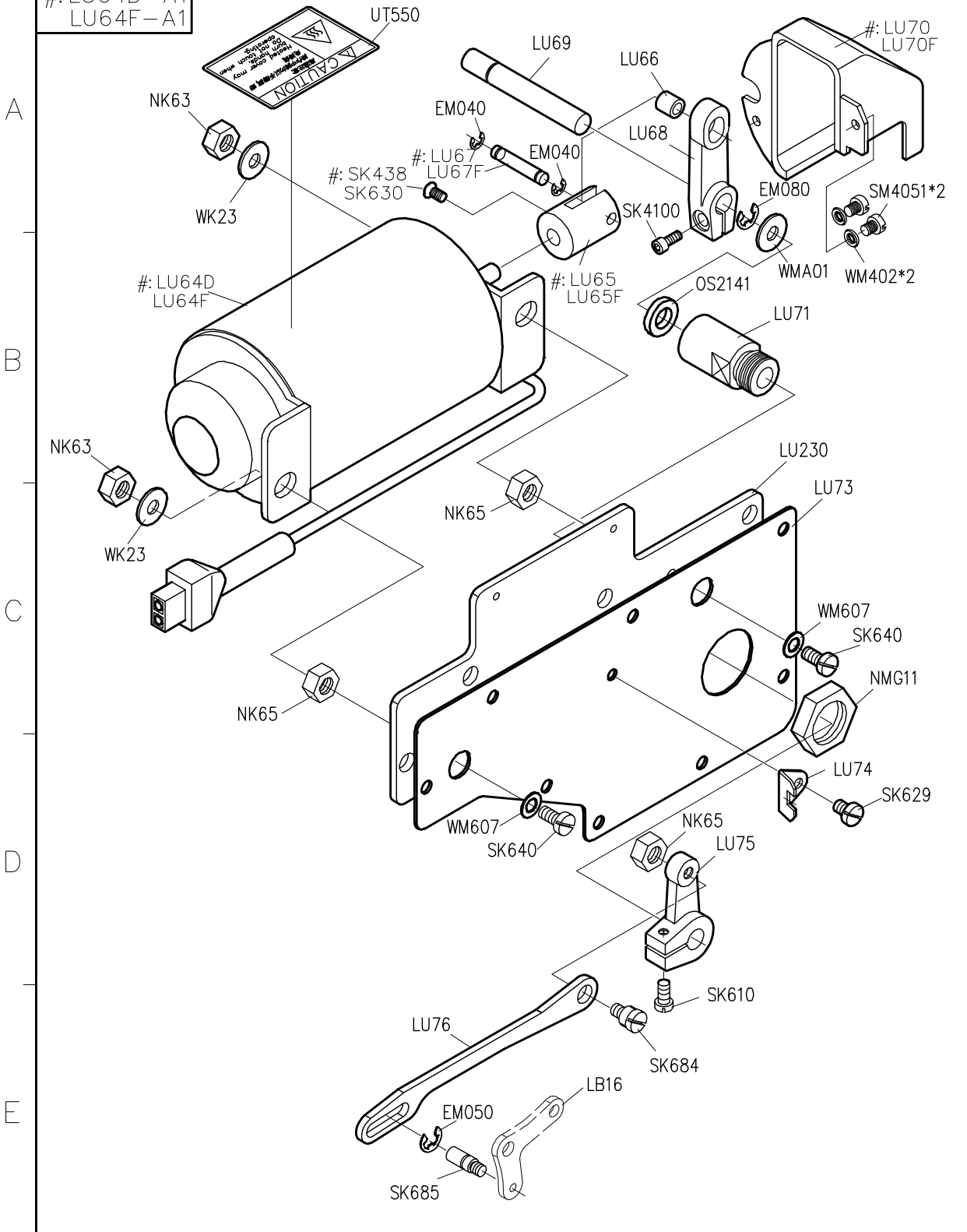
1 2 3 4 5

| SIRUBA PARTS LIST | Series | Parts Group | Subclass / Remark | Page |
|----------------------|-------------|-------------|-------------------|------------|
| | DL918-M1/H1 | LU | | 4/7 |
| | | | | Date |
| | | | | 2012/11/08 |



| | | | | |
|------------------------------------|--------------------|--------------------|------------------------------|-------------------|
| SIRUBA PARTS LIST | Series | Parts Group | Subclass / Remark | Page |
| | DL918-M1/H1 | LU | #:Use for H1 □:Use for L1 | 5/7 |
| | | | | Date |
| | | | | 2012/11/01 |

#: LU64D-A1
LU64F-A1



1
#: 為H1 機型使用

2

3

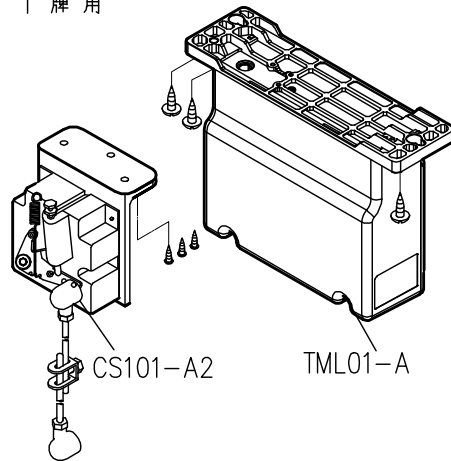
4

5

| | | | | |
|------------------------------------|---------------|--------------------|--------------------------|-------------|
| SIRUBA PARTS LIST | Series | Parts Group | Subclass / Remark | Page |
| | DL918-M1/H1 | LU | | 6/7 |
| | | | | Date |
| | | | | 2012/11/01 |

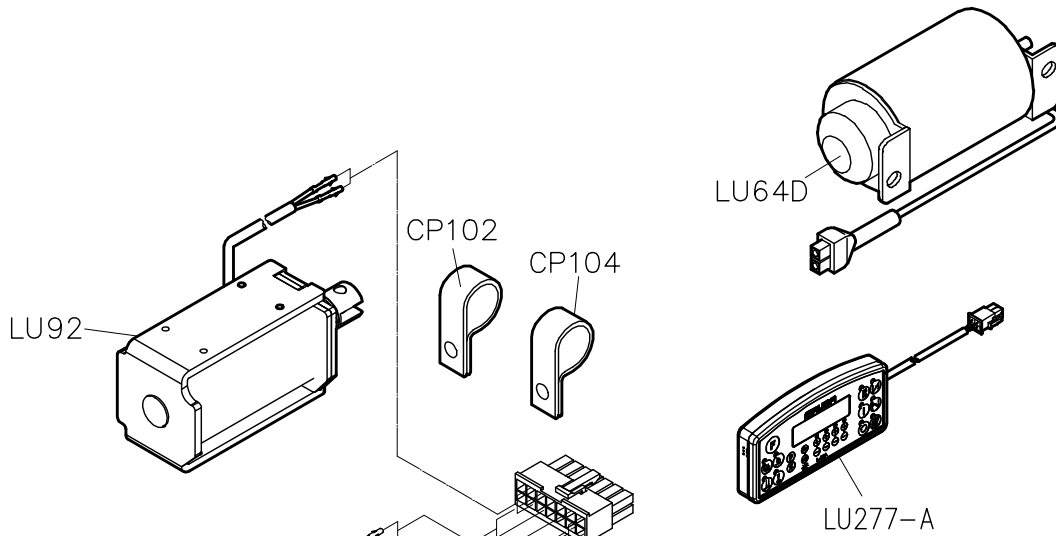
丁牌用

A

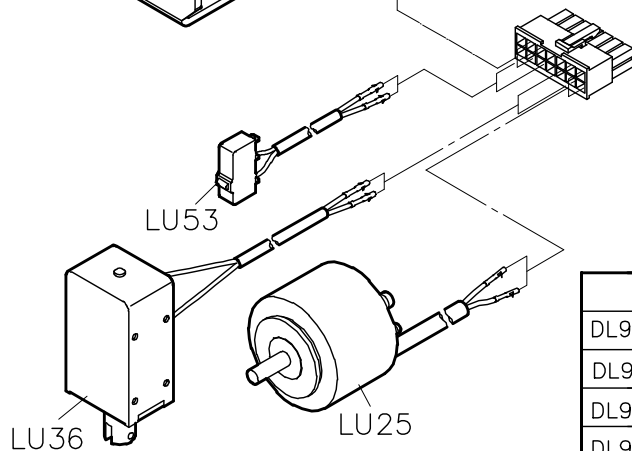


B

C



D



E

| 機 型 | CP102使用數量 | CP104使用數量 |
|-----------------|-----------|-----------|
| DL918-XX-00(20) | 1 | 1 |
| DL918-XX-01(21) | 0 | 2 |
| DL918-XX-02(22) | 1 | 1 |
| DL918-XX-03(23) | 0 | 2 |
| DL918-XX-10(30) | 1 | 1 |
| DL918-XX-11(31) | 0 | 2 |
| DL918-XX-12(32) | 1 | 1 |
| DL918-XX-13(33) | 0 | 2 |

1

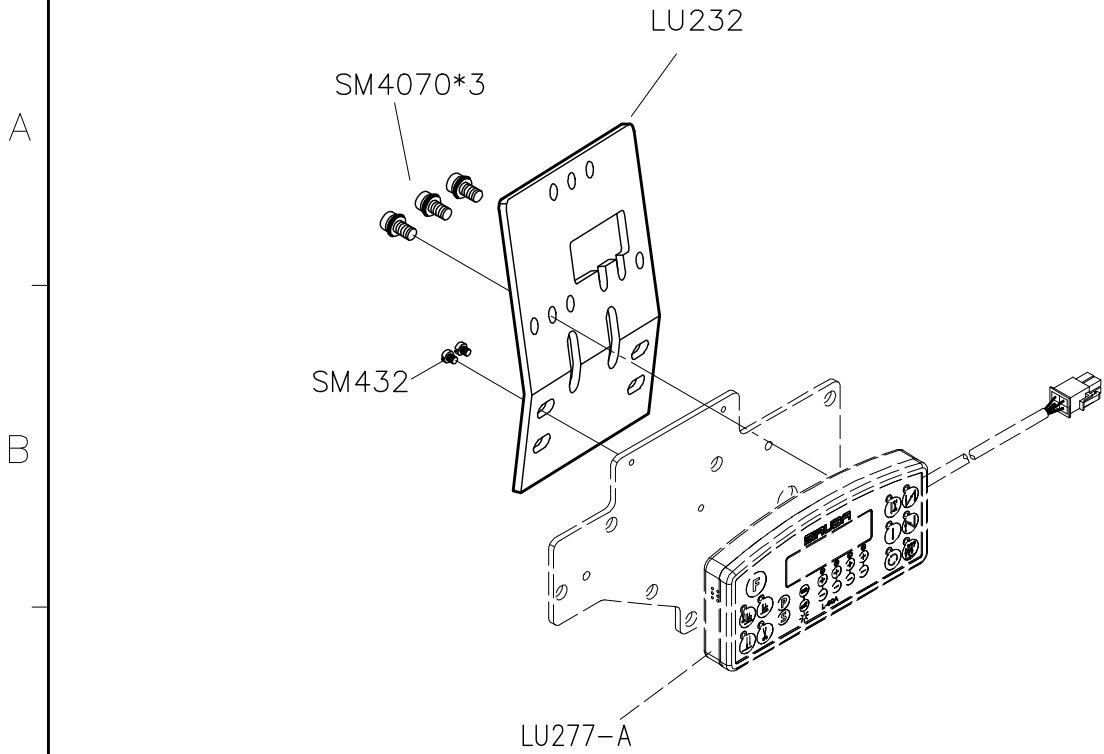
2

3

4

5

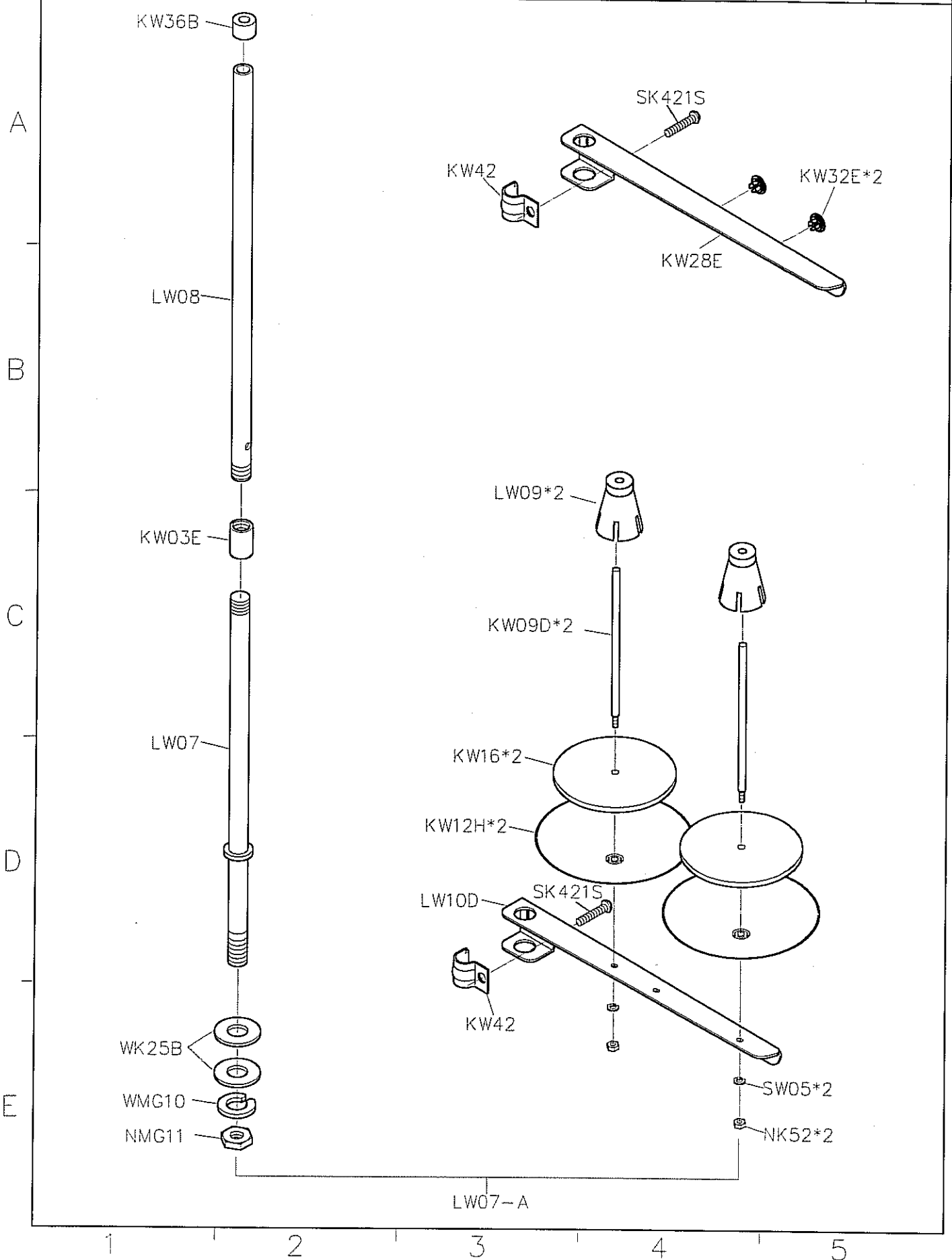
| | | | | |
|------------------------------------|---------------|--------------------|--------------------------|-------------|
| SIRUBA PARTS LIST | Series | Parts Group | Subclass / Remark | Page |
| | DL918-M1/H1 | LU | | 7/7 |
| | | | | Date |
| | | | | 2012/11/01 |



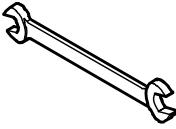
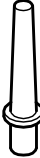
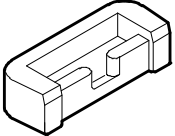
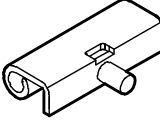

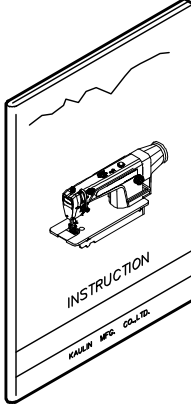
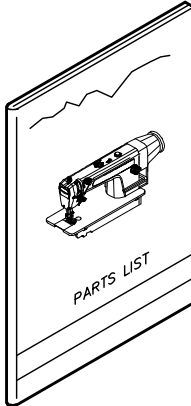
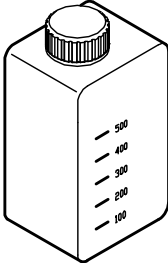
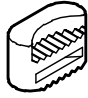




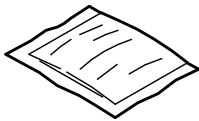
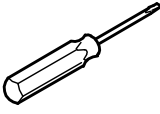
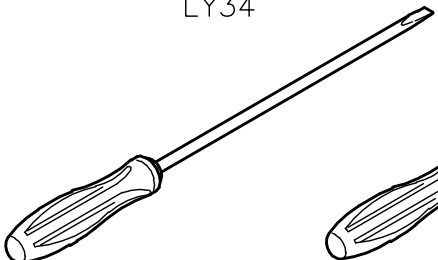
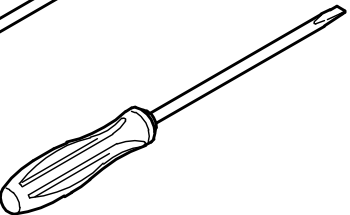

註：此部份置於配件箱內

| 代碼 NO. | 操作面板 Control Panel | 代碼 NO. | 自動切線 Auto THREAD Trimmer | 快速倒縫 Reverse Feeding | 撥線桿 Wiper | 自動抬押具 Auto Lifer |
|--------|-----------------------|--------|-----------------------------|-------------------------|--------------|---------------------|
| 1 | LU277-A | 0 | √ | √ | — | — |
| | | 1 | √ | √ | √ | — |
| | | 2 | √ | √ | — | √ |
| | | 3 | √ | √ | √ | √ |
| 0 | — | 0 | √ | √ | — | — |
| | | 1 | √ | √ | √ | — |
| | | 2 | √ | √ | — | √ |
| | | 3 | √ | √ | √ | √ |

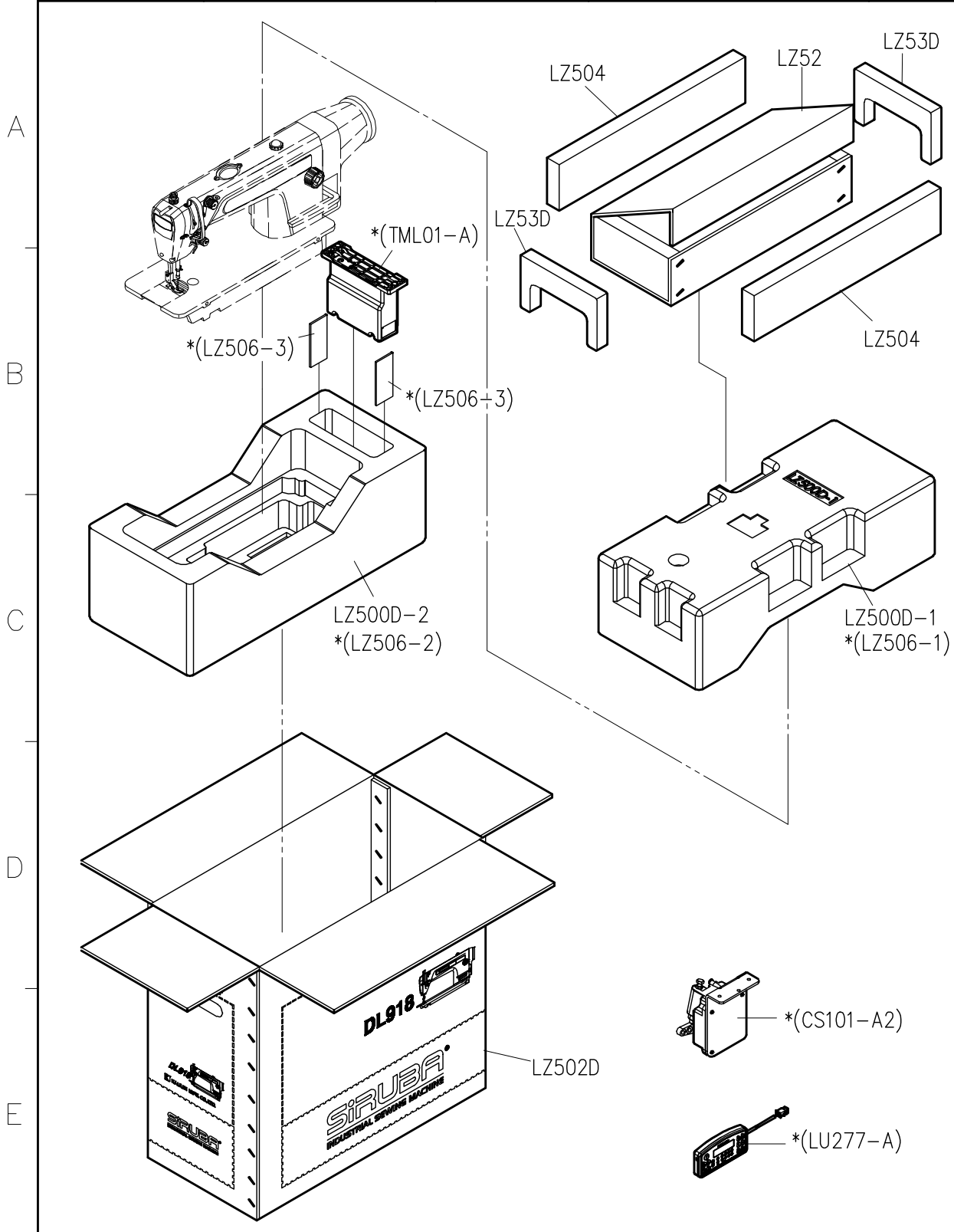
| SIRUBA PARTS LIST | Series | Parts Group | Subclass / Remark | Page |
|----------------------|-------------|-------------|-------------------|------------|
| | DL918-M1/H1 | LW | | 1/1 |
| | | | | Date |
| | | | | 2012/04/10 |



| | | | | |
|------------------------------------|--------------------|--------------------|--------------------------|-------------|
| SIRUBA PARTS LIST | Series | Parts Group | Subclass / Remark | Page |
| | DL918-M1/H1 | LY | | 1/1 |
| | | | | Date |
| | | | | 2012/11/01 |

| | | | | | |
|---|---|---|--|---|---|
| | LY01 | LY02 | YM04*2 | LY05*2 | YM102*2 |
| A |  |  |  |  |  |
| | LY501 | LY500 | LY37-A | YM103*2 | |
| B |  |  |  |  | |
| | | | | G3XX | |
| C | | | |  | |
| | 針*2 | LY38 | MY12 | KZ03*1 | |
| D |  |  |  |  | |
| | LY33 | LY34 | LY35 | KY201 | |
| E |  |  |  |  | |
| | 1 | 2 | 3 | 4 | 5 |

| | | | | |
|------------------------------------|---------------|--------------------|--------------------------|-------------|
| SIRUBA PARTS LIST | Series | Parts Group | Subclass / Remark | Page |
| | DL918-M1/H1 | LZ | | 1/1 |
| | | | | Date |
| | | | | 2012/12/22 |



1 2 3 4 5

| | | | | |
|---|---------------------|------------------|--------------------------|------------------------|
| SIRUBA TABLE CUT - OUT | Series | Item Code | Subclass / Remark | Mounting |
| | DL918/DL7000 | DL918T-T1 | | Fully-submerged |
| | | | | Date |
| | | | | 2013/01/01 |

